



“Czech Handball” or “National Handball”

The definition

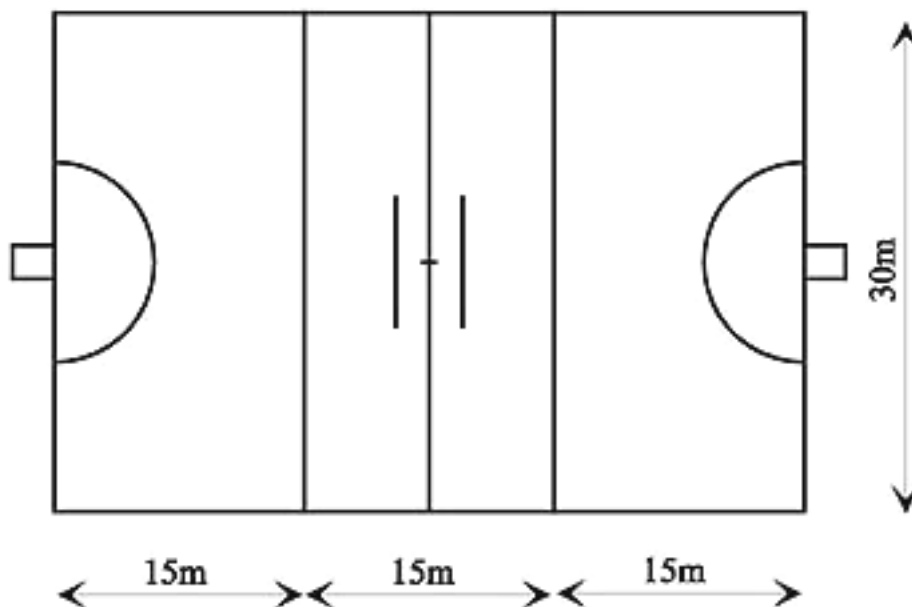
Czech Handball is a variation of Handball (International Handball). There are some differences, but the base is the same.

It is a game involving two teams of seven players who pass, throw, catch and dribble a small ball with their hands while trying to score goals. The team with the most goals wins the game. A game consists of two 30-minute halves with a 10-minute half-time break.

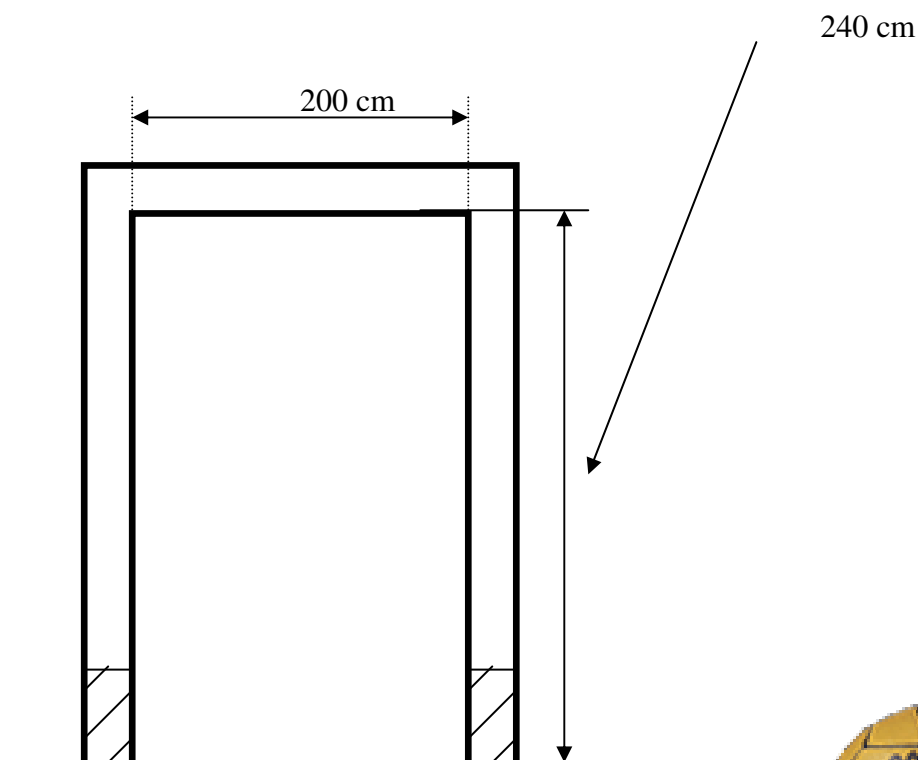


Czech Handball is usually played outside.

The playing court is 45 meter long and 30 meter wide. It is divided into three parts. The goal area, the middle area and the forwarding area.



The goalcage is 2 meter wide and 2,40 meter high – so it is higher than wider.



The ball must weigh from 240 to 420 grams.

Players are limited in their movement according to their functions.

- Three forwards can play in forwarding and middle area.
- Two half-backs can play in middle and defending area except a goal area.
- One defender and a goalkeeper can play in middle and defending area and also in a goal area.

Nowadays, Czech Handball is played only in the Czech Republic. There are 76 clubs with about 8000 players. Its beginning is dated to the beginning of the 20th century (1905). It expanded to Europe. Czech Handball was played in Slovakia, Ukraine, Yugoslavia, Poland, Switzerland, France, Austria between two world wars. There were international competitions in 1926, 1930 and 1934. After the World war the second, (international) Handball is dominated.

